



27W



36W



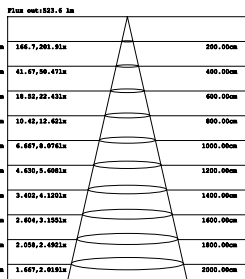
45W



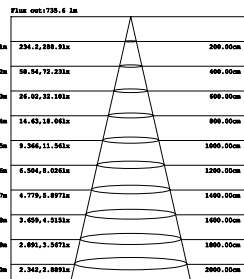
54W

Long Life 10 years OK	Enclosed OK	100-277AC 50-60Hz	PF ≥ 0.9	CRI ≥ 80	Omni OK	IP64	5 years warranty	LED LG 5630	IES	CE	LM79
--------------------------	----------------	----------------------	-------------	-------------	------------	------	------------------	----------------	-----	----	------

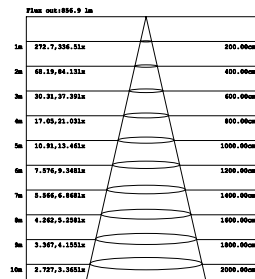
PL3-27



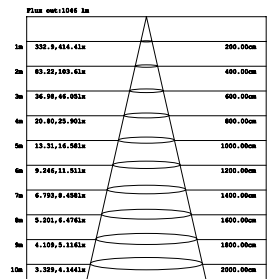
PL3-36



PL3-45



PL3-54



Specifications

Power	led Qty	PF	CRI	Voltage	CCT	Lumen	Size mm (x 0.039=inch)	Operation temp (°C/°F)	Weight (lbs=kg/2.2)	Certificate	Equal to
27W	84 leds LG5630	≥0.9	≥80	100-277VAC	1900-6500K	3645±200lm	E27 Φ87*205	minus 40~60°C	NW 0.65kg	CE/RoHS	125w HQI/HQL HPS
							E40 Φ87*221	minus 40~140°F	GW 0.75kg		
36W	112 leds LG5630	≥0.9	≥80	100-277VAC	1900-6500K	4860±200lm	E27 Φ87*230	minus 40~60°C	NW 0.77kg	CE/RoHS	150w HQI/HQL HPS
							E40 Φ87*246	minus 40~140°F	GW 0.85kg		
45W	140 leds SMD5630	≥0.9	≥80	100-277VAC	1900-6500K	6075±200lm	E27 Φ87*261	minus 40~60°C	NW 0.85kg	CE/RoHS	175w HQI/HQL HPS
							E40 Φ87*277	minus 40~140°F	GW 0.95kg		
54W	168 leds SMD5630	≥0.9	≥80	100-277VAC	1900-6500K	7290±200lm	E27 Φ87*261	minus 40~60°C	NW 0.90kg	CE/RoHS	200w HQI/HQL HPS
							E40 Φ87*277	minus 40~140°F	GW 1.00kg		

Features



REPLACE



LG 5630
135lm/W

360°beam angle

Flame retardant material

IP64 waterproof design



Advantages



ODM
OEM

OEM yourself special company logo

Rubycon

Use top brand capacitors Rubycon

IP64

IP 64 design.Driver is fully sealed with thermal paste, working temperature-40~60°C(-40~140°F)

LED
0.3W 5630

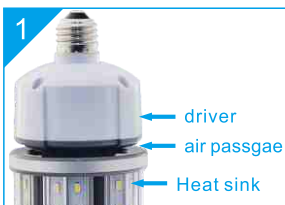
0.3W 5630 SMD LED. 30mA each.only 26mA goes through each LED so that LED lite time is maintained

No Fan

No Fan heat dissipation solution

Guide-flow

Guide-flow cove & hole.It guides water flow away very fast. prevent from watered.



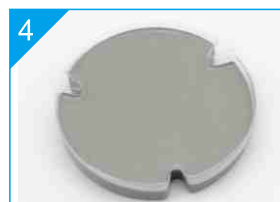
Isolated driver, better for heat dissipation



Easy replacement with slide connector from lamp body to driver.



High quality driver components:
Rubycon capacitor (Japan);
FIRST MOS(USA); MPS IC Chip (USA);
Galaxy Diodes (biggest in China)



Driver with heat sink silicone for waterproof, dust proof and anti-mosquitoes

Application



Wall pack



Acorn



Canopy



Garage light



Post top



Shoe box



Cobra Head



Flood light



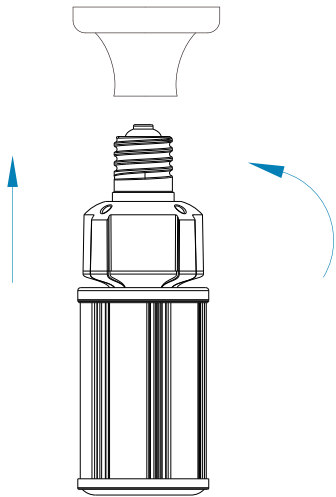
Before



After



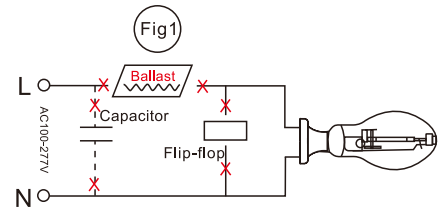
Installation



Step:1

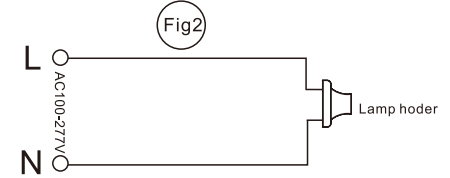
Shown as Figure 1
Turn off the power before installation.

Remove the old ballast, capacitor and ignitor(if existing)



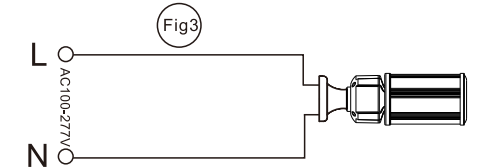
Step:2

Shown as Figure 2
Make sure the Alternating Current Wires connect to the E26 or E39 socket directly. (Reattach or replace ground lead if one is needed)



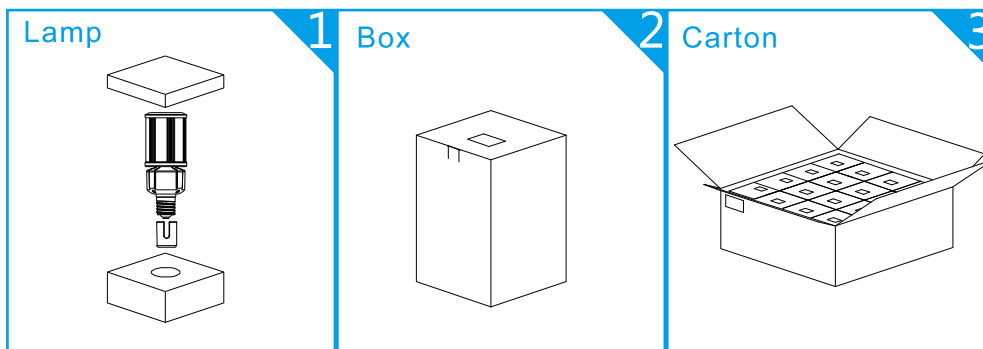
Step:3

Shown as Figure 3
Screw the LED lamp onto the corresponding socket.



Packing

Wattage	Inner box size	N.W per lamp (KG/lbs)	G.W per box (KG/lbs)	G.W per carton (KG/lbs)	Carton Size	Quantity per Carton
27W	93x93x240mm	0.66kg(1.46lbs)	0.76kg(1.68lbs)	13.05kg(28.77lbs)	392x382x255mm	16PCS
36W	93x93x263mm	0.74kg(1.63lbs)	0.86kg(1.90lbs)	15.63kg(34.46lbs)	392x382x278mm	
45W	93x93x294mm	0.86kg(1.90lbs)	0.96kg(2.12lbs)	16.44kg(36.24lbs)	392x382x309mm	
54W	93x93x294mm	0.88kg(1.94lbs)	0.97kg(2.14lbs)	17.58kg(38.76lbs)	392x382x309mm	



Pack Quantity:
16PCS



⚠ CAUTIONS

- Risk of electric shock. Do not use where directly exposed to water.
- All these 27W,36W,45W,54W led lamps are suitable for use in totally enclosed luminaires.
- These led corn bulbs are non-dimmable.
- Don't take apart the lamps without our permit.
- Please read the manual carefully before installation.