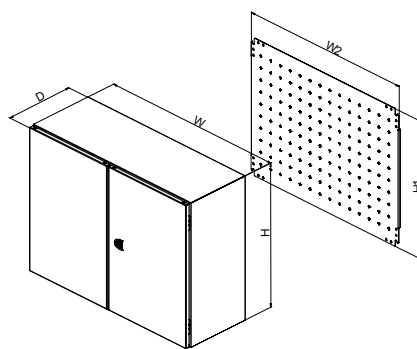
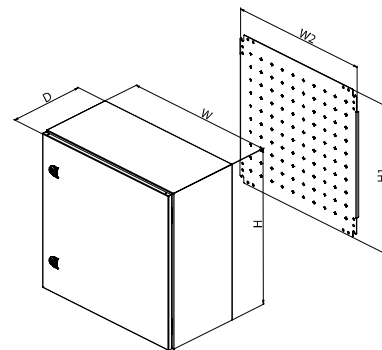
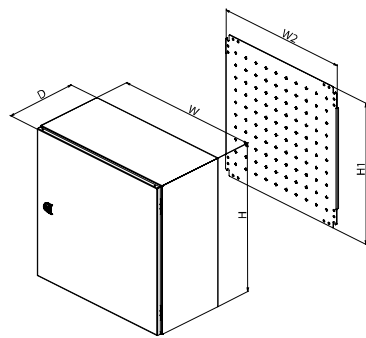


inTEG compact enclosure – stainless steel



**Spring
2014**



Package includes:

- Single/double-door compact enclosure. Door(s) come with a PUR non-porous gasket and a cam lock or 3-point lock system for enclosures of minimum height 1000 mm
- Perforated mounting rails on door(s) available for enclosures of minimum height 500 mm
- Perforated mounting rails on sides available for enclosures of minimum depth 250 mm
- Mounting plate with labeled 50×50 mm raster
- Accessories for wall mounting

For detailed technical information see pages 28 – 29.

Specifications:

- Material:
Enclosure: stainless steel 1.4301 (AISI 304), stainless steel 1.4404 (AISI 316L) available upon request
Mounting plate: zinc-plated sheet steel
- Enclosure surface finish: Brushed finish
- Protection degree: IP66 single-door enclosure/IP55 double-door enclosure according to EN 60 529
- Mechanical protection: IK10 according to IEC 62262

Compact enclosure, single door, height 300 – 400 mm

		Pack.	300	300	300	300	300	400	400	400	400
Enclosure	H (mm)		300	300	300	300	300	400	400	400	400
	W (mm)		200	300	300	400	400	300	300	400	600
	D (mm)		155	155	210	155	210	155	210	210	210
Mounting plate	H1 (mm)		270	270	270	270	270	370	370	370	370
	W2 (mm)		150	250	250	350	350	250	250	350	550
Material thickness in mm	Enclosure		1,25	1,25	1,25	1,25	1,25	1,25	1,25	1,25	1,25
	Door		1,5	1,5	1,5	1,5	1,5	1,5	1,5	1,5	1,5
	Mounting plate		2	2	2	2	2	2	2	2	2
Quantity	Hinges		2	2	2	2	2	2	2	2	2
	Cam lock		1	1	1	1	1	1	1	1	1
	Bolts		4	4	4	4	4	4	4	4	4
	Weight in kg		3,9	5,5	6,1	6,9	7,7	6,9	7,6	9,5	13,4
Order code	1 pc	WME-X-030215	WME-X-030315	WME-X-030321	WME-X-030415	WME-X-030421	WME-X-040315	WME-X-040321	WME-X-040421	WME-X-040621	

Compact enclosure, single door, height 500 – 600 mm										
Enclosure	H (mm)	Pack.	500	500	500	600	600	600	600	600
	W (mm)		400	500	500	400	600	600	600	800
	D (mm)		210	210	300	210	210	250	300	300
Mounting plate	H1 (mm)		470	470	470	570	570	570	570	570
	W2 (mm)		350	450	450	350	550	550	550	750
Material thickness in mm	Enclosure		1,25	1,25	1,25	1,25	1,5	1,5	1,5	1,5
	Door		1,5	1,5	1,5	1,5	1,5	1,5	1,5	1,5
	Mounting plate		2	2	2	2	2	2	2	2
Quantity	Hinges		2	2	2	2	2	2	2	2
	Cam lock		1	1	1	1	1	1	1	1
	Bolts		4	4	4	4	4	4	4	4
Weight in kg		11,3	13,7	15,5	13,2	20,3	21,4	22,8	29	
Order code	1 pc		WME-X-050421	WME-X-050521	WME-X-050503	WME-X-060421	WME-X-060621	WME-X-060625	WME-X-060603	WME-X-060803
Accessories										
Rails for interior installation	1 set		-	-	ID-W-H5	-	-	ID-W-H6	ID-W-H6	ID-W-H6
Door-mounting rails	1 set		ID-W-VD4	ID-W-VD5	ID-W-VD5	ID-W-VD4	ID-W-VD6	ID-W-VD6	ID-W-VD6	ID-W-VD8
19" fixed extrusions	1 set		-	-	-	-	-	ID-W-U12	ID-W-U12	ID-W-U12 *
Interior door	1 pc		-	-	ID-W-ID55	-	-	ID-W-ID66	ID-W-ID66	-
Plinth **	front and rear	1 set	-	-	-	-	-	-	ID-W-SPF60	ID-W-SPF80
	sides	1 set	-	-	-	-	-	-	ID-W-SPS30	ID-W-SPS30

*Order also bracket ID-W-UB. **Plinth stainless steel, height 100 mm, RAL7046.

Compact enclosure, single door, height 700 – 1200 mm										
Enclosure	H (mm)	Pack.	700	800	800	800	1000	1200	1200	
	W (mm)		500	600	600	600	800	800	800	
	D (mm)		300	250	300	300	300	300	300	400
Mounting plate	H1 (mm)		670	770	770	770	970	1170	1170	
	W2 (mm)		450	550	550	750	750	750	750	750
Material thickness in mm	Enclosure		1,5	1,5	1,5	1,5	1,5	1,5	1,5	1,5
	Door		1,5	2	2	2	2	2	2	2
	Mounting plate		2	2 F	2 F	2 FF	2 FF	2 FF	2 FF	2 FF
Quantity	Hinges		2	2	2	2	3	3	3	
	Cam lock		2	2	2	2	-	-	-	
	3-point lock system		-	-	-	-	+	+	+	
	Bolts		4	4	4	4	6	6	6	
Weight in kg		22,3	29,2	31,7	40,2	48,6	57,1	62		
Order code	1 pc		WME-X-070503	WME-X-080625	WME-X-080603	WME-X-080803	WME-X-100803	WME-X-120803	WME-X-120804	
Accessories										
Rails for interior installation	1 set		ID-W-H7	ID-W-H8	ID-W-H8	ID-W-H8	ID-W-H10	ID-W-H12	ID-W-H12	
Door-mounting rails	1 set		ID-W-VD5	ID-W-VD6	ID-W-VD6	ID-W-VD8	ID-W-VD8	ID-W-VD8	ID-W-VD8	
19" fixed extrusions	1 set		-	ID-W-U17	ID-W-U17	ID-W-U17*	ID-W-U21*	ID-W-U25*	ID-W-U25*	
Interior door	1 pc		ID-W-ID75	ID-W-ID86	ID-W-ID86	ID-W-ID88	ID-W-ID108	ID-W-ID128	ID-W-ID128	
Plinth **	front and rear	1 set	-	-	ID-W-SPF60	ID-W-SPF80	ID-W-SPF80	ID-W-SPF80	ID-W-SPF80	ID-W-SPF80
	sides	1 set	-	-	ID-W-SPS30	ID-W-SPS30	ID-W-SPS30	ID-W-SPS30	ID-W-SPS30	ID-W-SPS40

2 F - 2mm mounting plate with 2 bended edges. 2 FF - 2mm mounting plate with 4 bended edges.

*Order also bracket ID-W-UB. **Plinth stainless steel, height 100 mm, RAL7046.

Compact enclosure, double door, height 1000 – 1200 mm				
Enclosure	H (mm)	Pack.	1000	1200
	W (mm)		1000	1000
	D (mm)		300	300
Mounting plate	H1 (mm)		970	1170
	W2 (mm)		950	950
Material thickness in mm	Enclosure		1,5	1,5
	Door		2	2
	Mounting plate		2,5 FF	2,5 FF
Quantity	Hinges		3	3
	Bolts for mount. plate		6	6
Weight in kg		63,8	74,7	
Order code	1 pc		WME-X-201003	WME-X-221003
Accessories				
Rails for interior installation	1 set		ID-W-H10	ID-W-H12
Plinth **	front and rear	1 set	ID-W-SPF100	ID-W-SPF100
	sides	1 set	ID-W-SPS30	ID-W-SPS30

2,5 FF – 2,5mm mounting plate with 4 bended edges.

**Plinth stainless steel, height 100 mm, RAL7046.