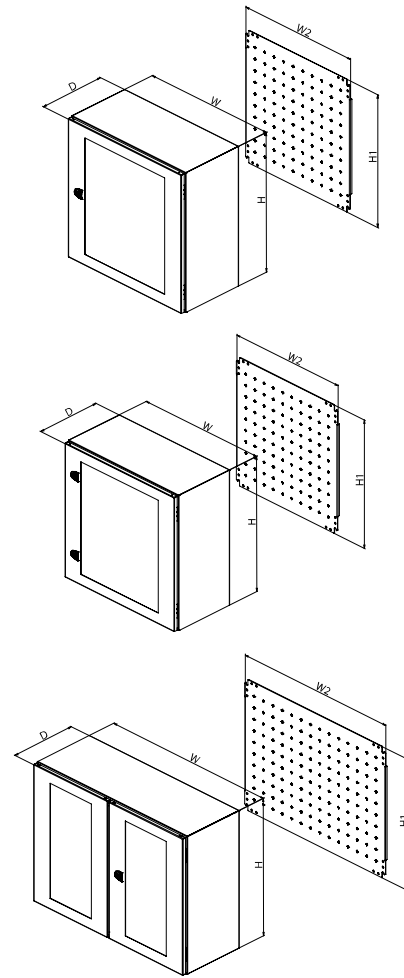


inTEG compact enclosure – glazed door

:: inTEG compact enclosure – glazed door



Package includes:

- Single/double-door compact enclosure with glazed door(s), hinges are on the right side for single-door enclosures (may be easily changed to left). Door(s) come with a PUR non-porous gasket and a cam lock or 3-point lock system for enclosures of minimum height 1000 mm
- Gland plate(s)
- Perforated mounting rails on sides available for enclosures of minimum depth 250 mm
- Mounting plate with labeled 50×50 mm raster
- Accessories for wall mounting

For detailed technical information see pages 25-27.

Specifications:

- Material:
 - Enclosure: sheet steel
 - Glazed door: sheet steel with 4mm tempered clear glass according to EN 12150
 - Mounting plate: zinc-plated sheet steel
- Enclosure surface finish: epoxypolyester-powder coat
- Color: RAL7035
- Protection degree: IP66 single-door enclosure/IP55 double-door enclosure according to EN 60 529
- Mechanical protection: IK8 according to IEC 62262

| Compact enclosure, single door, height 300 mm | | | | | | | | |
|---|--------------|---------|--------------|--------------|--------------|--------------|--------------|--------------|
| Enclosure | H (mm) | Package | 300 | 300 | 300 | 300 | 300 | 300 |
| | W (mm) | | 200 | 250 | 300 | 300 | 400 | 400 |
| | D (mm) | | 155 | 155 | 155 | 210 | 155 | 210 |
| Mounting plate | H1 (mm) | | 270 | 270 | 270 | 270 | 270 | 270 |
| | W2 (mm) | | 150 | 200 | 250 | 250 | 350 | 350 |
| Material thickness in mm | Enclosure | | 1,25 | 1,25 | 1,25 | 1,25 | 1,25 | 1,25 |
| | Door | | 1,5 | 1,5 | 1,5 | 1,5 | 1,5 | 1,5 |
| | Mount. plate | | 2 | 2 | 2 | 2 | 2 | 2 |
| Quantity | Hinges | | 2 | 2 | 2 | 2 | 2 | 2 |
| | Cam lock | | 1 | 1 | 1 | 1 | 1 | 1 |
| | Bolts | | 4 | 4 | 4 | 4 | 4 | 4 |
| | Size | | A | A | B | C | B | D |
| Gland plate | Quantity | | 1 | 1 | 1 | 1 | 1 | 1 |
| Weight in kg | | | 4,2 | 5,1 | 5,9 | 6,6 | 6,9 | 7,7 |
| Order code | 1 pc | | WME-G-030215 | WME-G-032515 | WME-G-030315 | WME-G-030321 | WME-G-030415 | WME-G-030421 |

Compact enclosure, single door, height 400 and 500 mm

| Enclosure | H (mm) | Pack. | 400 | 400 | 400 | 400 | 400 | 500 | 500 | 500 | 500 | 500 |
|---------------------------------|--------------|-------|---------------------|---------------------|---------------------|---------------------|---------------------|---------------------|---------------------|---------------------|---------------------|---------------------|
| | W (mm) | | | 300 | 300 | 400 | 600 | 600 | 300 | 400 | 400 | 500 |
| D (mm) | | | 155 | 210 | 210 | 210 | 250 | 210 | 210 | 250 | 210 | 300 |
| Mounting plate | H1 (mm) | | 370 | 370 | 370 | 370 | 370 | 470 | 470 | 470 | 470 | 470 |
| | W2 (mm) | | 250 | 250 | 350 | 550 | 550 | 250 | 350 | 350 | 450 | 450 |
| Material thickness in mm | Enclosure | | 1,25 | 1,25 | 1,25 | 1,25 | 1,25 | 1,25 | 1,25 | 1,25 | 1,25 | 1,25 |
| | Door | | 1,5 | 1,5 | 1,5 | 1,5 | 1,5 | 1,5 | 1,5 | 1,5 | 1,5 | 1,5 |
| | Mount. plate | | 2 | 2 | 2 | 2 | 2 | 2 | 2 | 2 | 2 | 2 |
| Quantity | Hinges | | 2 | 2 | 2 | 2 | 2 | 2 | 2 | 2 | 2 | 2 |
| | Cam lock | | 1 | 1 | 1 | 1 | 1 | 1 | 1 | 1 | 1 | 1 |
| | Bolts | | 4 | 4 | 4 | 4 | 4 | 4 | 4 | 4 | 4 | 4 |
| Gland plate | Size | | B | C | D | F | F | C | D | D | E | E |
| | Quantity | | 1 | 1 | 1 | 1 | 1 | 1 | 1 | 1 | 1 | 1 |
| Weight in kg | | | 6,9 | 7,6 | 8,6 | 12,1 | 12,8 | 9,1 | 10,3 | 10,9 | 12,4 | 13,6 |
| Order code | 1 pc | | WME-G-040315 | WME-G-040321 | WME-G-040421 | WME-G-040621 | WME-G-040625 | WME-G-050321 | WME-G-050421 | WME-G-050425 | WME-G-050521 | WME-G-050503 |
| Accessories | | | | | | | | | | | | |
| Rails for interior installation | 1 set | | - | - | - | - | ID-W-H4 | - | - | ID-W-H5 | - | ID-W-H5 |
| 19" fixed extrusions | 1 set | | - | - | - | - | ID-W-U8 | - | - | - | - | - |
| Interior door | 1 pc | | - | - | - | - | - | - | - | ID-W-ID54 | - | ID-W-ID55 |

Compact enclosure, single door, height 600 mm

| Enclosure | H (mm) | Pack. | 600 | 600 | 600 | 600 | 600 | 600 | 600 | 600 | 600 | 600 |
|---------------------------------|----------------|-------|---------------------|---------------------|---------------------|---------------------|---------------------|---------------------|---------------------|---------------------|---------------------|---------------------|
| | W (mm) | | | 400 | 400 | 400 | 500 | 600 | 600 | 600 | 600 | 800 |
| D (mm) | | | 210 | 250 | 300 | 250 | 210 | 250 | 300 | 400 | 250 | 300 |
| Mounting plate | H1 (mm) | | 570 | 570 | 570 | 570 | 570 | 570 | 570 | 570 | 570 | 570 |
| | W2 (mm) | | 350 | 350 | 350 | 450 | 550 | 550 | 550 | 550 | 750 | 750 |
| Material thickness in mm | Enclosure | | 1,25 | 1,5 | 1,5 | 1,5 | 1,5 | 1,5 | 1,5 | 1,5 | 1,5 | 1,5 |
| | Door | | 1,5 | 1,5 | 1,5 | 1,5 | 1,5 | 1,5 | 1,5 | 1,5 | 1,5 | 1,5 |
| | Mount. plate | | 2 | 2 | 2 | 2 | 2 | 2 | 2 | 2 | 2 | 2 |
| Quantity | Hinges | | 2 | 2 | 2 | 2 | 2 | 2 | 2 | 2 | 2 | 2 |
| | Cam lock | | 1 | 1 | 1 | 1 | 1 | 1 | 1 | 1 | 1 | 1 |
| | Bolts | | 4 | 4 | 4 | 4 | 4 | 4 | 4 | 4 | 4 | 4 |
| Gland plate | Size | | D | D | D | E | F | F | F | F | F | F |
| | Quantity | | 1 | 1 | 1 | 1 | 1 | 1 | 1 | 1 | 1 | 1 |
| Weight in kg | | | 11,9 | 13,9 | 15,6 | 17,1 | 18,9 | 19,9 | 21,2 | 24,1 | 25,4 | 27 |
| Order code | 1 pc | | WME-G-060421 | WME-G-060425 | WME-G-060403 | WME-G-060525 | WME-G-060621 | WME-G-060625 | WME-G-060603 | WME-G-060604 | WME-G-060825 | WME-G-060803 |
| Accessories | | | | | | | | | | | | |
| Rails for interior installation | 1 set | | - | ID-W-H6 | ID-W-H6 | ID-W-H6 | - | ID-W-H6 | ID-W-H6 | ID-W-H6 | ID-W-H6 | ID-W-H6 |
| 19" fixed extrusions | 1 set | | - | - | - | - | - | ID-W-U12 | ID-W-U12 | ID-W-U12 | ID-W-U12 * | ID-W-U12 * |
| Interior door | 1 pc | | - | ID-W-ID64 | ID-W-ID64 | ID-W-ID65 | - | ID-W-ID66 | ID-W-ID66 | ID-W-ID66 | - | - |
| Plinth ** | front and rear | 1 set | | - | - | - | - | - | ID-W-PF60 | ID-W-PF60 | - | ID-W-PF80 |
| | sides | 1 set | | - | - | - | - | - | ID-W-PS30 | ID-W-PS40 | - | ID-W-PS30 |

*Order also bracket ID-W-UB. ** Plinth sheet steel, height 100 mm, RAL7046.

Compact enclosure, single door, height 700 and 800 mm

| Enclosure | H (mm) | Pack. | 700 | 700 | 800 | 800 | 800 | 800 | 800 |
|---------------------------------|----------------|-------|---------------------|---------------------|---------------------|---------------------|---------------------|---------------------|---------------------|
| | W (mm) | | | 500 | 500 | 600 | 600 | 600 | 600 |
| D (mm) | | | 210 | 300 | 250 | 300 | 400 | 300 | 400 |
| Mounting plate | H1 (mm) | | 670 | 670 | 770 | 770 | 770 | 770 | 770 |
| | W2 (mm) | | 450 | 450 | 550 | 550 | 550 | 750 | 750 |
| Material thickness in mm | Enclosure | | 1,5 | 1,5 | 1,5 | 1,5 | 1,5 | 1,5 | 1,5 |
| | Door | | 1,5 | 1,5 | 2 | 2 | 2 | 2 | 2 |
| | Mounting plate | | 2 | 2 | 2 F | 2 F | 2 F | 2 FF | 2 FF |
| Quantity | Hinges | | 2 | 2 | 2 | 2 | 2 | 2 | 2 |
| | Cam lock | | 2 | 2 | 2 | 2 | 2 | 2 | 2 |
| | Bolts | | 4 | 4 | 4 | 4 | 4 | 4 | 4 |
| Gland plate | Size | | E | E | F | F | F | F | F |
| | Quantity | | 1 | 1 | 1 | 1 | 1 | 1 | 1 |
| Weight in kg | | | 18,4 | 20,7 | 27,2 | 28,5 | 29,2 | 32,2 | 35,4 |
| Order code | 1 pc | | WME-G-070521 | WME-G-070503 | WME-G-080625 | WME-G-080603 | WME-G-080604 | WME-G-080803 | WME-G-080804 |
| Accessories | | | | | | | | | |
| Rails for interior installation | 1 set | | - | ID-W-H7 | ID-W-H8 | ID-W-H8 | ID-W-H8 | ID-W-H8 | ID-W-H8 |
| 19" fixed extrusions | 1 set | | - | - | ID-W-U17 | ID-W-U17 | ID-W-U17 | ID-W-U17 * | ID-W-U17 * |
| Interior door | 1 pc | | - | ID-W-ID75 | ID-W-ID86 | ID-W-ID86 | ID-W-ID86 | ID-W-ID88 | ID-W-ID88 |
| Plinth ** | front and rear | 1 set | | - | - | - | ID-W-PF60 | ID-W-PF60 | ID-W-PF80 |
| | sides | 1 set | | - | - | - | ID-W-PS30 | ID-W-PS40 | ID-W-PS40 |

2 F - 2mm mounting plate with 2 bended edges. 2 FF - 2mm mounting plate with 4 bended edges.

*Order also bracket ID-W-UB. ** Plinth sheet steel, height 100 mm, RAL7046.

| Compact enclosure, single door, height 1000 and 1200 mm | | | | | | | | | | | |
|---|----------------|-------|---------------------|---------------------|---------------------|---------------------|---------------------|---------------------|---------------------|---------------------|---------------------|
| Enclosure | H (mm) | Pack. | 1000 | 1000 | 1000 | 1000 | 1000 | 1200 | 1200 | 1200 | 1200 |
| | W (mm) | | 600 | 600 | 600 | 800 | 800 | 600 | 600 | 800 | 800 |
| | D (mm) | | 250 | 300 | 400 | 300 | 400 | 300 | 400 | 300 | 400 |
| Mounting plate | H1 (mm) | | 970 | 970 | 970 | 970 | 970 | 1170 | 1170 | 1170 | 1170 |
| | W2 (mm) | | 550 | 550 | 550 | 750 | 750 | 550 | 550 | 750 | 750 |
| Material thickness in mm | Enclosure | | 1,5 | 1,5 | 1,5 | 1,5 | 1,5 | 1,5 | 1,5 | 1,5 | 1,5 |
| | Door | | 2 | 2 | 2 | 2 | 2 | 2 | 2 | 2 | 2 |
| | Mounting plate | | 2 F | 2 F | 2 F | 2 FF | 2 FF | 2 F | 2 F | 2 FF | 2 FF |
| Quantity | Hinges | | 3 | 3 | 3 | 3 | 3 | 3 | 3 | 3 | 3 |
| | Bolts | | 4 | 4 | 4 | 6 | 6 | 6 | 6 | 6 | 6 |
| Gland plate | Size | | F | F | F | F | F | F | F | F | F |
| | Quantity | | 1 | 1 | 1 | 1 | 1 | 1 | 1 | 1 | 1 |
| Weight in kg | | | 29,7 | 31,9 | 35,2 | 40,4 | 44,1 | 37,4 | 41 | 47,4 | 51,5 |
| Order code | 1 pc | | WME-G-100625 | WME-G-100603 | WME-G-100604 | WME-G-100803 | WME-G-100804 | WME-G-120603 | WME-G-120604 | WME-G-120803 | WME-G-120804 |
| Accessories | | | | | | | | | | | |
| Rails for interior installation | 1 set | | ID-W-H10 | ID-W-H10 | ID-W-H10 | ID-W-H10 | ID-W-H10 | ID-W-H12 | ID-W-H12 | ID-W-H12 | ID-W-H12 |
| 19" fixed extrusions | 1 set | | ID-W-U21 | ID-W-U21 | ID-W-U21 | ID-W-U21 * | ID-W-U21 * | ID-W-U25 | ID-W-U25 | ID-W-U25 * | ID-W-U25 * |
| Interior door | 1 pc | | ID-W-ID106 | ID-W-ID106 | ID-W-ID106 | ID-W-ID108 | ID-W-ID108 | ID-W-ID126 | ID-W-ID126 | ID-W-ID128 | ID-W-ID128 |
| Plinth ** | front and rear | 1 set | - | ID-W-PF60 | ID-W-PF60 | ID-W-PF80 | ID-W-PF80 | ID-W-PF60 | ID-W-PF60 | ID-W-PF80 | ID-W-PF80 |
| | sides | 1 set | - | ID-W-PS30 | ID-W-PS40 | ID-W-PS30 | ID-W-PS40 | ID-W-PS30 | ID-W-PS40 | ID-W-PS30 | ID-W-PS40 |

2 F - 2mm mounting plate with 2 bended edges. 2 FF - 2mm mounting plate with 4 bended edges.

*Order also bracket ID-W-UB. ** Plinth sheet steel, height 100 mm, RAL7046.

| Compact enclosure, double door, height 600 – 1000 mm | | | | | | | | | | | |
|--|----------------|-------|---------------------|---------------------|---------------------|---------------------|---------------------|---------------------|---------------------|---------------------|---------------------|
| Enclosure | H (mm) | Pack. | 600 | 800 | 800 | 1000 | 1000 | 1000 | 1000 | 1000 | 1000 |
| | W (mm) | | 800 | 1000 | 1200 | 1000 | 1000 | 1000 | 1200 | 1200 | 1200 |
| | D (mm) | | 300 | 300 | 300 | 300 | 300 | 400 | 300 | 300 | 400 |
| Mounting plate | H1 (mm) | | 570 | 770 | 770 | 970 | 970 | 970 | 970 | 1150 | 1150 |
| | W2 (mm) | | 750 | 950 | 1150 | 950 | 950 | 1150 | 1150 | 1150 | 1150 |
| Material thickness in mm | Enclosure | | 1,5 | 1,5 | 1,5 | 1,5 | 1,5 | 1,5 | 1,5 | 1,5 | 1,5 |
| | Door | | 1,5 | 2 | 2 | 2 | 2 | 2 | 2 | 2 | 2 |
| | Mount. plate | | 2 | 2 FF | 2 FF | 2,5 FF | 2,5 FF | 2,5 FF | 2,5 FF | 2,5 FF | 2,5 FF |
| Quantity | Hinges | | 2 | 2 | 2 | 3 | 3 | 3 | 3 | 3 | 3 |
| | Bolts | | 4 | 6 | 6 | 6 | 6 | 6 | 6 | 6 | 6 |
| Gland plate | Size | | F | E | F | E | E | E | F | F | F |
| | Quantity | | 1 | 2 | 2 | 2 | 2 | 2 | 2 | 2 | 2 |
| Weight in kg | | | 24,5 | 41,1 | 50 | 53 | 59,1 | 62 | 62 | 63,1 | 63,1 |
| Order code | 1 pc | | WME-G-160803 | WME-G-181003 | WME-G-181203 | WME-G-201003 | WME-G-201004 | WME-G-201203 | WME-G-201203 | WME-G-201203 | WME-G-201204 |
| Accessories | | | | | | | | | | | |
| Rails for interior installation | 1 set | | ID-W-H6 | ID-W-H8 | ID-W-H8 | ID-W-H10 | ID-W-H10 | ID-W-H10 | ID-W-H10 | ID-W-H10 | ID-W-H10 |
| 19" fixed extrusions | 1 set | | ID-W-U12 * | - | - | - | - | - | - | - | - |
| Plinth ** | front and rear | 1 set | ID-W-PF80 | ID-W-PF100 | ID-W-PF120 | ID-W-PF100 | ID-W-PF100 | ID-W-PF100 | ID-W-PF120 | ID-W-PF120 | ID-W-PF120 |
| | sides | 1 set | ID-W-PS30 | ID-W-PS30 | ID-W-PS30 | ID-W-PS30 | ID-W-PS30 | ID-W-PS40 | ID-W-PS30 | ID-W-PS30 | ID-W-PS40 |

2 F - 2mm mounting plate with 2 bended edges. 2 FF - 2mm mounting plate with 4 bended edges. 2,5 FF – 2,5mm mounting plate with 4 bended edges.

*Order also bracket ID-W-UB. ** Plinth sheet steel, height 100 mm, RAL7046.

| Compact enclosure, double door, height 1200 – 1400 mm | | | | | | | |
|---|----------------|-------|---------------------|---------------------|---------------------|---------------------|---------------------|
| Enclosure | H (mm) | Pack. | 1200 | 1200 | 1200 | 1200 | 1400 |
| | W (mm) | | 1000 | 1000 | 1200 | 1200 | 1000 |
| | D (mm) | | 300 | 400 | 300 | 400 | 300 |
| Mounting plate | H1 (mm) | | 1170 | 1170 | 1170 | 1170 | 1370 |
| | W2 (mm) | | 950 | 950 | 1150 | 1150 | 950 |
| Material thickness in mm | Enclosure | | 1,5 | 1,5 | 1,5 | 1,5 | 1,5 |
| | Door | | 2 | 2 | 2 | 2 | 2 |
| | Mount. plate | | 2,5 FF | 2,5 FF | 2,5 FF | 2,5 FF | 2,5 FF |
| Quantity | Hinges | | 3 | 3 | 3 | 3 | 3 |
| | Bolts | | 6 | 6 | 6 | 6 | 6 |
| Gland plate | Size | | E | E | F | F | E |
| | Quantity | | 2 | 2 | 2 | 2 | 2 |
| Weight in kg | | | 62 | 66,6 | 72,7 | 77,5 | 71,2 |
| Order code | 1 pc | | WME-G-221003 | WME-G-221004 | WME-G-221203 | WME-G-221204 | WME-G-241003 |
| Accessories | | | | | | | |
| Rails for interior installation | 1 set | | ID-W-H12 | ID-W-H12 | ID-W-H12 | ID-W-H12 | ID-W-H14 |
| 19" fixed extrusions | 1 set | | - | - | - | - | - |
| Plinth ** | front and rear | 1 set | ID-W-PF100 | ID-W-PF100 | ID-W-PF120 | ID-W-PF120 | ID-W-PF100 |
| | sides | 1 set | ID-W-PS30 | ID-W-PS40 | ID-W-PS30 | ID-W-PS40 | ID-W-PS30 |

2,5 FF – 2,5mm mounting plate with 4 bended edges.

*Order also bracket ID-W-UB. ** Plinth sheet steel, height 100 mm, RAL7046.