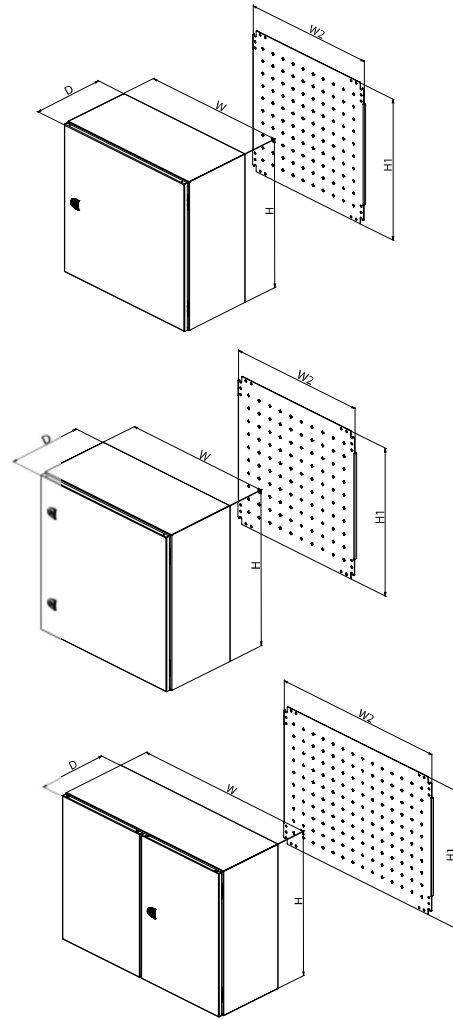


inTEG compact enclosure – sheet steel



Package includes:

- Single/double-door compact enclosure, hinges are on the right side for single-door enclosures (can be easily changed to left). Door(s) come with a PUR non-porous gasket and a cam lock or 3-point lock system for enclosures of minimum height 1000 mm
- Gland plate(s)
- Perforated mounting rails on door(s) available for enclosures of minimum height 500 mm
- Perforated mounting rails on sides available for enclosures of minimum depth 250 mm
- Mounting plate with labeled 50x50 mm raster
- Accessories for wall mounting

Specifications:

- Material:
 - Enclosure: sheet steel
 - Mounting plate: zinc-plated sheet steel
- Enclosure surface finish: epoxypolyester-powder coat
- Color: RAL7035
- Protection degree: IP66 single-door enclosure/IP55 double-door enclosure according to EN 60 529
- Mechanical protection: IK10 according to IEC 62262

For detailed technical information see pages 22 – 24.

Compact enclosure, single door, height 300 and 400 mm

		Pack.	300	300	300	300	300	300	400	400	400	400	400
Enclosure	H (mm)		300	300	300	300	300	300	400	400	400	400	400
	W (mm)		200	250	300	300	400	400	300	300	400	600	600
	D (mm)		155	155	155	210	155	210	155	210	210	210	250
Mounting plate	H1 (mm)		270	270	270	270	270	270	370	370	370	370	370
	W2 (mm)		150	200	250	250	350	350	250	250	350	550	550
Material thickness in mm	Enclosure		1,25	1,25	1,25	1,25	1,25	1,25	1,25	1,25	1,25	1,25	1,25
	Door		1,5	1,5	1,5	1,5	1,5	1,5	1,5	1,5	1,5	1,5	1,5
	Mount. plate		2	2	2	2	2	2	2	2	2	2	2
Quantity	Hinges		2	2	2	2	2	2	2	2	2	2	2
	Cam lock		1	1	1	1	1	1	1	1	1	1	1
	Bolts		4	4	4	4	4	4	4	4	4	4	4
	Size		A	A	B	C	B	D	B	C	D	F	F
Gland plate	Quantity		1	1	1	1	1	1	1	1	1	1	1
Weight in kg		3,9	4,7	5,5	6,1	6,9	7,7	6,9	7,6	9,5	13,4	14,2	
Order code	1 pc	WME-030215	WME-032515	WME-030315	WME-030321	WME-030415	WME-030421	WME-040315	WME-040321	WME-040421	WME-040621	WME-040625	
Accessories													
Rails for interior installation	1 set	-	-	-	-	-	-	-	-	-	-	-	ID-W-H4
19" fixed extrusions	1 set	-	-	-	-	-	-	-	-	-	-	-	ID-W-U8

Compact enclosure, single door, height 500 mm							
Enclosure	H (mm)	Pack.	500	500	500	500	500
	W (mm)		300	400	400	500	500
	D (mm)		210	210	250	210	300
Mounting plate	H1 (mm)		470	470	470	470	470
	W2 (mm)		250	350	350	450	450
Material thickness in mm	Enclosure		1,25	1,25	1,25	1,25	1,25
	Door		1,5	1,5	1,5	1,5	1,5
	Mount. plate		2	2	2	2	2
Quantity	Hinges		2	2	2	2	2
	Cam lock		1	1	1	1	1
	Bolts		4	4	4	4	4
Gland plate	Size		C	D	D	E	E
	Quantity		1	1	1	1	1
Weight in kg			9,1	11,3	12,1	13,7	15,5
Order code	1 pc		WME-050321	WME-050421	WME-050425	WME-050521	WME-050503
Accessories							
Rails for interior installation	1 set		-	-	ID-W-H5	-	ID-W-H5
Door-mounting rails	1 set		ID-W-VD3	ID-W-VD4	ID-W-VD4	ID-W-VD5	ID-W-VD5
Interior door	1 pc		-	-	ID-W-ID54	-	ID-W-ID55

Compact enclosure, single door, height 600 mm												
Enclosure	H (mm)	Pack.	600	600	600	600	600	600	600	600	600	600
	W (mm)		400	400	400	500	600	600	600	600	800	800
	D (mm)		210	250	300	250	210	250	300	400	250	300
Mounting plate	H1 (mm)		570	570	570	570	570	570	570	570	570	570
	W2 (mm)		350	350	350	450	550	550	550	550	750	750
Material thickness in mm	Enclosure		1,25	1,5	1,5	1,5	1,5	1,5	1,5	1,5	1,5	1,5
	Door		1,5	1,5	1,5	1,5	1,5	1,5	1,5	1,5	1,5	1,5
	Mount. plate		2	2	2	2	2	2	2	2	2	2
Quantity	Hinges		2	2	2	2	2	2	2	2	2	2
	Cam lock		1	1	1	1	1	1	1	1	1	1
	Bolts		4	4	4	4	4	4	4	4	4	4
Gland plate	Size		D	D	D	E	F	F	F	F	F	F
	Quantity		1	1	1	1	1	1	1	1	1	1
Weight in kg			13,2	15,4	16,8	18,4	20,3	21,4	22,8	25,9	27,3	29
Order code	1 pc		WME-060421	WME-060425	WME-060403	WME-060525	WME-060621	WME-060625	WME-060603	WME-060604	WME-060825	WME-060803
Accessories												
Rails for interior installation	1 set		-	ID-W-H6	ID-W-H6	ID-W-H6	-	ID-W-H6	ID-W-H6	ID-W-H6	ID-W-H6	ID-W-H6
Door-mounting rails	1 set		ID-W-VD4	ID-W-VD4	ID-W-VD4	ID-W-VD5	ID-W-VD6	ID-W-VD6	ID-W-VD6	ID-W-VD6	ID-W-VD8	ID-W-VD8
19" fixed extrusions	1 set		-	-	-	-	-	ID-W-U12	ID-W-U12	ID-W-U12	ID-W-U12 *	ID-W-U12 *
Interior door	1 pc		-	ID-W-ID64	ID-W-ID64	ID-W-ID65	-	ID-W-ID66	ID-W-ID66	ID-W-ID66	-	-
Plinth **	front and rear	1 set	-	-	-	-	-	-	ID-W-PF60	ID-W-PF60	-	ID-W-PF80
	sides	1 set	-	-	-	-	-	-	ID-W-PS30	ID-W-PS40	-	ID-W-PS30

*Order also bracket ID-W-UB. **Plinth sheet steel, height 100 mm, RAL7046.

Compact enclosure, single door, height 700 and 800 mm									
Enclosure	H (mm)	Pack.	700	700	800	800	800	800	800
	W (mm)		500	500	600	600	600	800	800
	D (mm)		210	300	250	300	400	300	400
Mounting plate	H1 (mm)		670	670	770	770	770	770	770
	W2 (mm)		450	450	550	550	550	750	750
Material thickness in mm	Enclosure		1,5	1,5	1,5	1,5	1,5	1,5	1,5
	Door		1,5	1,5	2	2	2	2	2
	Mount. plate		2	2	2 F	2 F	2 F	2 FF	2 FF
Quantity	Hinges		2	2	2	2	2	2	2
	Cam lock		2	2	2	2	2	2	2
	Bolts		4	4	4	4	4	4	4
Gland plate	Size		E	E	F	F	F	F	F
	Quantity		1	1	1	1	1	1	1
Weight in kg			19,8	22,3	29,2	31,7	35,2	40,2	44,2
Order code	1 pc		WME-070521	WME-070503	WME-080625	WME-080603	WME-080604	WME-080803	WME-080804
Accessories									
Rails for interior installation	1 set		-	ID-W-H7	ID-W-H8	ID-W-H8	ID-W-H8	ID-W-H8	ID-W-H8
Door-mounting rails	1 set		ID-W-VD5	ID-W-VD5	ID-W-VD6	ID-W-VD6	ID-W-VD6	ID-W-VD8	ID-W-VD8
19" fixed extrusions	1 set		-	-	ID-W-U17	ID-W-U17	ID-W-U17	ID-W-U17 *	ID-W-U17 *
Interior door	1 pc		-	ID-W-ID75	ID-W-ID86	ID-W-ID86	ID-W-ID86	ID-W-ID88	ID-W-ID88
Plinth **	front and rear	1 set	-	-	-	ID-W-PF60	ID-W-PF60	ID-W-PF80	ID-W-PF80
	sides	1 set	-	-	-	ID-W-PS30	ID-W-PS40	ID-W-PS30	ID-W-PS40

2 F - 2mm mounting plate with 2 bended edges. 2 FF - 2mm mounting plate with 4 bended edges.

*Order also bracket ID-W-UB. **Plinth sheet steel, height 100 mm, RAL7046.

Compact enclosure, single door, height 1000 and 1200 mm

Enclosure	H (mm)	Pack.	1000	1000	1000	1000	1000	1200	1200	1200	1200
	W (mm)			600	600	600	800	800	600	600	800
D (mm)			250	300	400	300	400	300	400	300	400
Mounting plate	H1 (mm)		970	970	970	970	970	1170	1170	1170	1170
	W2 (mm)		550	550	550	750	750	550	550	750	750
Material thickness in mm	Enclosure		1,5	1,5	1,5	1,5	1,5	1,5	1,5	1,5	1,5
	Door		2	2	2	2	2	2	2	2	2
	Mount. plate		2 F	2 F	2 F	2 FF	2 FF	2 F	2 F	2 FF	2 FF
Quantity	Hinges		3	3	3	3	3	3	3	3	3
	Bolts		4	4	4	6	6	6	6	6	6
Gland plate	Size		F	F	F	F	F	F	F	F	F
	Quantity		1	1	1	1	1	1	1	1	1
Weight in kg			35,7	38,4	42,4	48,6	53,1	45	49,4	57,1	62
Order code	1 pc		WME-100625	WME-100603	WME-100604	WME-100803	WME-100804	WME-120603	WME-120604	WME-120803	WME-120804
Accessories											
Rails for interior installation	1 set		ID-W-H10	ID-W-H10	ID-W-H10	ID-W-H10	ID-W-H10	ID-W-H12	ID-W-H12	ID-W-H12	ID-W-H12
Door-mounting rails	1 set		ID-W-VD6	ID-W-VD6	ID-W-VD6	ID-W-VD8	ID-W-VD8	ID-W-VD6	ID-W-VD6	ID-W-VD8	ID-W-VD8
19" fixed extrusions	1 set		ID-W-U21	ID-W-U21	ID-W-U21	ID-W-U21 *	ID-W-U21 *	ID-W-U25	ID-W-U25	ID-W-U25 *	ID-W-U25 *
Interior door	1 pc		ID-W-ID106	ID-W-ID106	ID-W-ID106	ID-W-ID108	ID-W-ID108	ID-W-ID126	ID-W-ID126	ID-W-ID128	ID-W-ID128
Plinth **	front and rear	1 set	-	ID-W-PF60	ID-W-PF60	ID-W-PF80	ID-W-PF80	ID-W-PF60	ID-W-PF60	ID-W-PF80	ID-W-PF80
	sides	1 set	-	ID-W-PS30	ID-W-PS40	ID-W-PS30	ID-W-PS40	ID-W-PS30	ID-W-PS40	ID-W-PS30	ID-W-PS40

2 F - 2mm mounting plate with 2 bended edges. 2 FF - 2mm mounting plate with 4 bended edges.

*Order also bracket ID-W-UB. **Plinth sheet steel, height 100 mm, RAL7046.

Compact enclosure, double door, height 600 – 1000 mm

Enclosure	H (mm)	Pack.	600	800	800	1000	1000	1000	1000	
	W (mm)			800	1000	1200	1000	1000	1200	1200
D (mm)			300	300	300	300	400	300	400	
Mounting plate	H1 (mm)		570	770	770	970	970	970	970	
	W2 (mm)		750	950	1150	950	950	1150	1150	
Material thickness in mm	Enclosure		1,5	1,5	1,5	1,5	1,5	1,5	1,5	
	Door		1,5	2	2	2	2	2	2	
	Mount. plate		2	2 FF	2 FF	2,5 FF	2,5 FF	2,5 FF	2,5 FF	
Quantity	Hinges		2	2	2	3	3	3	3	
	Bolts		4	6	6	6	6	6	6	
Gland plate	Size		F	E	F	E	E	F	F	
	Quantity		1	2	2	2	2	2	2	
Weight in kg			29,5	49,5	58,1	63,8	68,7	74,7	76	
Order code	1 pc		WME-160803	WME-181003	WME-181203	WME-201003	WME-201004	WME-201203	WME-201204	
Accessories										
Rails for interior installation	1 set		ID-W-H6	ID-W-H8	ID-W-H8	ID-W-H10	ID-W-H10	ID-W-H10	ID-W-H10	
Door-mounting rails	1 set		ID-W-VD8	-	-	-	-	-	-	
19" fixed extrusions	1 set		ID-W-U12 *	-	-	-	-	-	-	
Plinth **	front and rear	1 set	ID-W-PF80	ID-W-PF100	ID-W-PF120	ID-W-PF100	ID-W-PF100	ID-W-PF120	ID-W-PF120	
	sides	1 set	ID-W-PS30	ID-W-PS30	ID-W-PS30	ID-W-PS30	ID-W-PS40	ID-W-PS30	ID-W-PS40	

2 F - 2mm mounting plate with 2 bended edges. 2 FF - 2mm mounting plate with 4 bended edges. 2,5 FF - 2,5mm mounting plate with 4 bended edges.

*Order also bracket ID-W-UB. **Plinth sheet steel, height 100 mm, RAL7046.

Compact enclosure, double door, height 1200 – 1400 mm

Enclosure	H (mm)	Pack.	1200	1200	1200	1200	1400
	W (mm)			1000	1000	1200	1200
D (mm)			300	400	300	400	300
Mounting plate	H1 (mm)		1170	1170	1170	1170	1370
	W2 (mm)		950	950	1150	1150	950
Material thickness in mm	Enclosure		1,5	1,5	1,5	1,5	1,5
	Door		2	2	2	2	2
	Mount. plate		2,5 FF	2,5 FF	2,5 FF	2,5 FF	2,5 FF
Quantity	Hinges		3	3	3	3	3
	Bolts		6	6	6	6	6
Gland plate	Size		E	E	F	F	E
	Quantity		2	2	2	2	2
Weight in kg			74,7	80,2	87,6	93,4	85,8
Order code	1 pc		WME-221003	WME-221004	WME-221203	WME-221204	WME-241003
Accessories							
Rails for interior installation	1 set		ID-W-H12	ID-W-H12	ID-W-H12	ID-W-H12	ID-W-H14
Door-mounting rails	1 set		-	-	-	-	-
19" fixed extrusions	1 set		-	-	-	-	-
Plinth **	front and rear	1 set	ID-W-PF100	ID-W-PF100	ID-W-PF120	ID-W-PF120	ID-W-PF100
	sides	1 set	ID-W-PS30	ID-W-PS40	ID-W-PS30	ID-W-PS40	ID-W-PS30

2,5 FF - 2,5mm mounting plate with 4 bended edges.

*Order also bracket ID-W-UB. **Plinth sheet steel, height 100 mm, RAL7046.